

COMMUNICATION NARROW BAND

FLANGE MOUNT DROP-IN ISO-ATTENUATORS

PRODUCT DESCRIPTION

RF CI Drop-in Iso-Attenuators designed for UHF, TETRA, Cellular BST, RFID, WiMAX and L and S bands Radar applications in high performance linear power amplifiers. A fixed Attenuator has a 30dB value with rated 100W power handling located at its 3rd port.



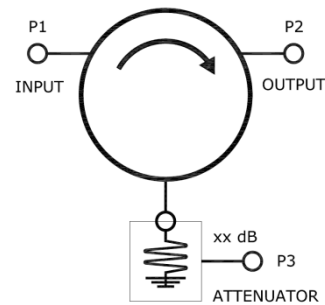
KEY FEATURES

- Standard drop-in package size
- Robust Construction for High Reliability performance
- RoHS compliant
- Low typical Insertion loss, High Isolation
- Magnetically Shielded

- ❖ Products available with alternative configuration such as 20 dB attenuators and reverse rotation direction CCW.
- ❖ Special Tab is offset available.
- ❖ S-parameters are available upon request.



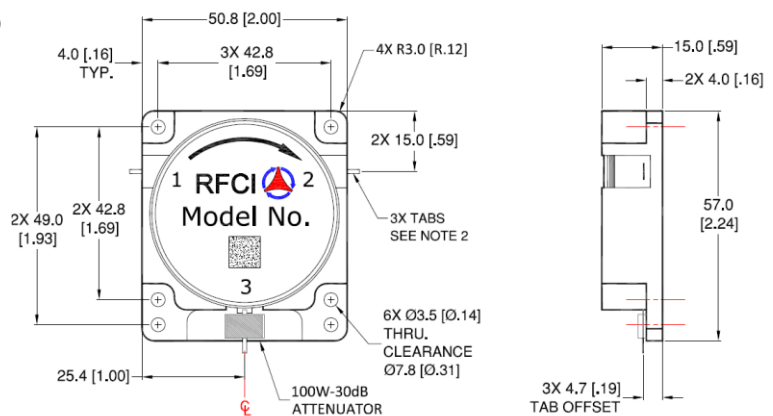
FUNCTION DIAGRAM



ISO-ATTENUATOR OUTLINE DRAWING

Figure IA-01 (50.8mm Package Outline)

UNLESS OTHERWISE SPECIFIED ALL DIMENSIONS ARE IN MILLIMETERS [INCHES]:		
TOLERANCES ARE:		
1 PLACE DECIMAL	±.2 [±.01]	ANGULAR: ±1.0°
2 PLACE DECIMAL	±.10 [±.004]	SURFACE ROUGHNESS 16/



Notes:

1. Typical Values Represent Performance @ +23 °C.
2. Tab Dimensions: 1.00 [0.040]W x 3.0 [0.12]L x 0.20 [0.008]T
3. Iso-attenuator Flange held to +85°C; 30 Minute Maximum Duration

30dB Iso-Attenuators-50.8mm Package

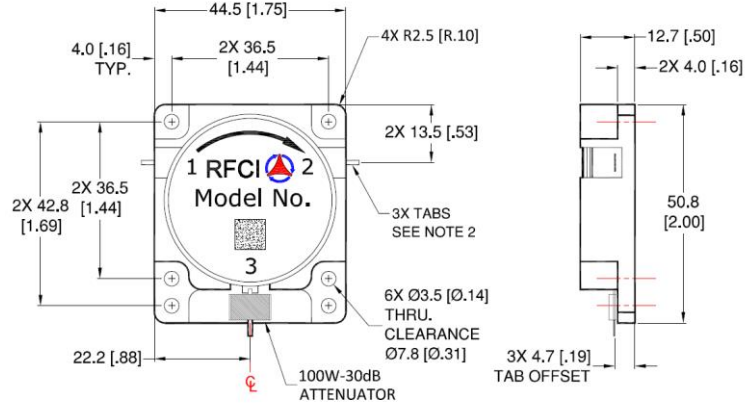
Frequency Range (MHz)		Insertion Loss (dB)	Isolation (dB)	Return Loss (dB)	Fwd. PWR P/CW (W)	Rev PWR CW (W)	Operating Temperature (°C)	Package Outline	RFCI Part Number
Low	High	Room/OT	Room/OT	Room/OT	Max.	Max.	(°C)		
205	230	0.50/0.70	21/18	21/18	1000/200	100	-20 to +85°C	IA-01	RFSL2178-A30
220	280	0.50/0.70	19/17	19/17	1000/200	100	-20 to +85°C	IA-01	RFSL2179-A30
270	335	0.50/0.70	21/18	21/18	1000/200	100	-20 to +85°C	IA-01	RFSL2180-A30

Figure IA-02 (44.5 mm Package Outline)

UNLESS OTHERWISE SPECIFIED
ALL DIMENSIONS ARE IN MILLIMETERS (INCHES):

TOLERANCES ARE:

1 PLACE DECIMAL	±.2 [±.01]	ANGULAR:	±1.0°
2 PLACE DECIMAL	±.10 [±.004]	SURFACE ROUGHNESS	16/



- Notes:
1. Typical Values Represent Performance @ +23 °C.
 2. Tab Dimensions: 1.00 [0.040]W x 3.0 [0.12]L x 0.20 [0.008]T
 3. Iso-attenuator Flange held to +85°C; 30 Minute Maximum Duration.

30dB Iso-Attenuators-44.5mm Package

Frequency Range (MHz)		Insertion Loss (dB)	Isolation (dB)	Return Loss (dB)	Fwd. PWR P/CW (W)	Rev PWR CW (W)	Operating Temperature (°C)	Package Outline	RFCI Part Number
Low	High	Room/OT	Room/OT	Room/OT	Max.	Max.	(°C)		
290	320	0.40/0.50	22/20	22/20	1000/200	100	-20 to +85°C	IA-02	RFSL2182-A30
325	400	0.40/0.50	21/18	21/18	1000/200	100	-20 to +85°C	IA-02	RFSL2183-A30
325	360	0.40/0.50	22/20	22/20	1000/200	100	-20 to +85°C	IA-02	RFSL2184-A30
340	400	0.40/0.50	22/20	22/20	1000/200	100	-20 to +85°C	IA-02	RFSL2185-A30
350	410	0.40/0.50	22/20	22/20	1000/200	100	-20 to +85°C	IA-02	RFSL2186-A30
380	460	0.40/0.50	22/20	22/20	1000/200	100	-20 to +85°C	IA-02	RFSL2187-A30

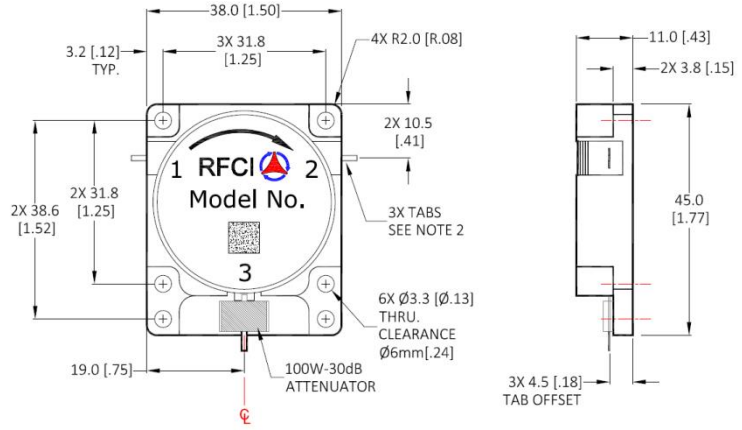
Standard Part is 30dB Attenuator and Clockwise (CW) Rotation. Add letter “R” at the end to Part number for a Counter Clockwise (CCW) Rotation

- See RFCI website www.rf-ci.com for complete part datasheet.

Figure IA-03 (38mm Package Outline)

UNLESS OTHERWISE SPECIFIED
ALL DIMENSIONS ARE IN MILLIMETERS (INCHES)

TOLERANCES ARE:		ANGULAR: ±1.0°
1 PLACE DECIMAL	±2 [±.01]	SURFACE ROUGHNESS 16/
2 PLACE DECIMAL	±.10 [±.004]	



Notes:
1. Typical Values Represent Performance @ +23 °C.
2. Tab Dimensions: 1.00 [.040]W x 3.0 [.12]L x 0.20 [.008]T
3. Iso-attenuator Flange held to +85°C; 30 Minute Maximum Duration.

30dB Iso-Attenuators-38mm Package

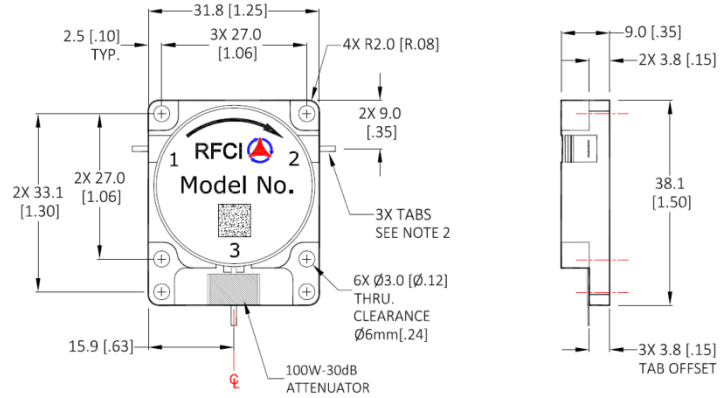
Frequency Range (MHz)		Insertion Loss (dB)	Isolation (dB)	Return Loss (dB)	Fwd. PWR P/CW (W)	Rev PWR CW (W)	Operating Temperature (°C)	Package Outline	RFCI Part No.
Low	High	Room/OT	Room/OT	Room/OT	Max.	Max.			
330	360	0.40/0.50	22/20	22/20	1000/200	100	-20 to +85°C	IA-03	RFSL2175-A30
350	380	0.30/0.40	22/20	22/20	1000/200	100	-20 to +85°C	IA-03	RFSL2129-A30
360	390	0.30/0.40	22/20	22/20	1000/200	100	-20 to +85°C	IA-03	RFSL2131-A30
380	430	0.30/0.40	22/20	22/20	1000/200	100	-20 to +85°C	IA-03	RFSL2133-A30
400	470	0.35/0.50	20/18	20/18	1000/200	100	-20 to +85°C	IA-03	RFSL2110-A30
400	450	0.30/0.40	22/20	22/20	1000/200	100	-20 to +85°C	IA-03	RFSL2135-A30
415	475	0.40/0.50	22/20	22/20	1000/200	100	-20 to +85°C	IA-03	RFSL2112-A30
415	455	0.30/0.40	22/20	22/20	1000/200	100	-20 to +85°C	IA-03	RFSL2162-A30
430	460	0.25/0.30	25/22	25/22	1000/200	100	-20 to +85°C	IA-03	RFSL2123-A30
450	500	0.30/0.40	22/20	22/20	1000/200	100	-20 to +85°C	IA-03	RFSL2137-A30
470	570	0.35/0.50	20/18	20/18	1000/200	100	-20 to +85°C	IA-03	RFSL2119-A30
470	520	0.30/0.40	22/20	22/20	1000/200	100	-20 to +85°C	IA-03	RFSL2139-A30
520	576	0.30/0.40	22/20	22/20	1000/200	100	-20 to +85°C	IA-03	RFSL2121-A30
570	670	0.35/0.50	20/18	20/18	1000/200	100	-20 to +85°C	IA-03	RFSL2125-A30
576	638	0.30/0.40	22/20	22/20	1000/200	100	-20 to +85°C	IA-03	RFSL2141-A30
638	704	0.30/0.40	22/20	22/20	1000/200	100	-20 to +85°C	IA-03	RFSL2127-A30
670	770	0.30/0.40	22/20	22/20	1000/200	100	-20 to +85°C	IA-03	RFSL2143-A30
698	806	0.30/0.40	22/20	22/20	1000/200	100	-20 to +85°C	IA-03	RFSL2145-A30
700	1000	0.50/0.60	17/16.5	17/16.5	1000/200	100	-20 to +85°C	IA-03	RFSL2269-A30
700	830	0.30/0.40	22/20	22/20	1000/200	100	-20 to +85°C	IA-03	RFSL2188-A30
770	870	0.30/0.40	22/20	22/20	1000/200	100	-20 to +85°C	IA-03	RFSL2189-A30
800	960	0.30/0.40	22/20	22/20	1000/200	100	-20 to +85°C	IA-03	RFSL2270-A30
940	1200	0.40/0.50	20/18	20/18	1000/200	100	-40 to +85°C	IA-03	RFSL2355-A30
950	1250	0.50/0.60	17/16.5	17/16.5	1000/200	100	-40 to +85°C	IA-03	RFSL2356-A30
960	1260	0.50/0.60	17/16.5	17/16.5	1000/200	100	-20 to +85°C	IA-03	RFSL2357-A30

Standard Part is 30dB Attenuator and Clockwise (CW) Rotation. Add letter "R" at the end to Part number for a Counter Clockwise (CCW) Rotation

Figure IA-04 (31.8mm Package Outline)

UNLESS OTHERWISE SPECIFIED
ALL DIMENSIONS ARE IN MILLIMETERS (INCHES):

TOLERANCES ARE:			
1 PLACE DECIMAL	±.2 [±.01]	ANGULAR:	±1.0°
2 PLACE DECIMAL	±.10 [±.004]	SURFACE ROUGHNESS	16/



Notes:
1. Typical Values Represent Performance @ +23 °C.
2. Tab Dimensions: 1.00 [0.040]W x 3.0 [0.12]L x 0.20 [0.008]T
3. Iso-attenuator Flange held to +85°C; 30 Minute Maximum Duration

30dB Iso-Attenuators-31.8mm Package

Frequency Range (MHz)		Insertion Loss (dB)		Return Loss (dB)		Fwd. PWR P/CW (W)	Rev PWR CW (W)	Operating Temperature (°C)	Package Outline	RFCI Part No.
Low	High	Room/OT	Room/OT	Room/OT	Room/OT	Max.	Max.			
638	704	0.30/0.40	22/20	22/20	22/20	1000/200	100	-20 to +85°C	IA-04	RFSL2163-A30
698	806	0.30/0.40	22/20	22/20	22/20	1000/200	100	-20 to +85°C	IA-04	RFSL2164-A30
700	830	0.30/0.40	22/20	22/20	22/20	1000/200	100	-20 to +85°C	IA-04	RFSL2165-A30
790	960	0.30/0.40	22/20	22/20	22/20	1000/200	100	-40 to +85°C	IA-04	RFSL2167-A30
850	1000	0.30/0.40	22/20	22/20	22/20	1000/200	100	-40 to +85°C	IA-04	RFSL2258-A30
860	960	0.20/0.30	25/22	25/22	25/22	1000/200	100	-40 to +85°C	IA-04	RFSL2259-A30
1000	1400	0.40/0.60	19/17	19/17	19/17	1000/200	100	-20 to +85°C	IA-04	RFSL2322-A30
1000	1200	0.30/0.40	23/20	23/20	23/20	1000/200	100	-40 to +85°C	IA-04	RFSL2326-A30
1100	1300	0.30/0.40	23/20	23/20	23/20	1000/200	100	-40 to +85°C	IA-04	RFSL2334-A30
1160	1220	0.20/0.30	25/22	25/22	25/22	1000/200	100	-40 to +85°C	IA-04	RFCR2324-A30
1200	1400	0.20/0.30	25/22	25/22	25/22	1000/200	100	-40 to +85°C	IA-04	RFSL2340-A30
1200	1420	0.30/0.40	23/20	23/20	23/20	1000/200	100	-40 to +85°C	IA-04	RFSL2330-A30
1300	1700	0.40/0.50	19/17	19/17	19/17	1000/200	100	-20 to +85°C	IA-04	RFSL2444-A30
1350	1850	0.50/0.60	17/16.5	17/16.5	17/16.5	1000/200	100	-20 to +85°C	IA-04	RFSL2442-A30
1400	1600	0.20/0.30	25/22	25/22	25/22	1000/200	100	-40 to +85°C	IA-04	RFSL2358-A30
1500	1800	0.30/0.40	22/20	22/20	22/20	1000/200	100	-40 to +85°C	IA-04	RFSL2443-A30
1700	2100	0.30/0.40	22/20	22/20	22/20	1000/200	100	-40 to +85°C	IA-04	RFSL2537-A30
1700	1900	0.20/0.30	25/22	25/22	25/22	1000/200	100	-40 to +85°C	IA-04	RFSL2538-A30
1800	2200	0.20/0.30	23/20	23/20	23/20	1000/200	100	-40 to +85°C	IA-04	RFCR2539-A30

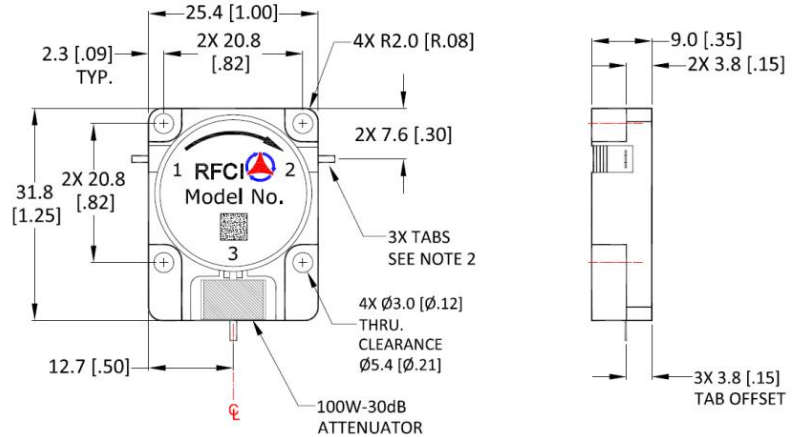
Standard Part Number is 30dB Attenuator and Clockwise (CW) Rotation. Add letter “R” at the end to Part number for a Counter Clockwise (CCW) Rotation

- See RFCI website www.rf-ci.com for complete part datasheet.

Figure IA-05 (25.4mm Package Outline)

UNLESS OTHERWISE SPECIFIED
ALL DIMENSIONS ARE IN MILLIMETERS (INCHES):

TOLERANCES ARE:			
1 PLACE DECIMAL	±2 [±.01]	ANGULAR:	±1.0°
2 PLACE DECIMAL	±.10 [±.004]	SURFACE ROUGHNESS	16√



- Notes:
1. Typical Values Represent Performance @ +23 °C.
 2. Tab Dimensions: 1.00 [0.040]W x 3.0 [0.12]L x 0.20 [0.008]T
 3. Iso-attenuator Flange held to +85°C; 30 Minute Maximum Duration

30dB Iso-Attenuators, Standard Frequency Band-25.4mm Package

Frequency Range (MHz)		Insertion Loss (dB)		Return Loss (dB)	Fwd. PWR P/CW (W)	Rev PWR CW (W)	Operating Temperature (°C)	Package Outline	RFCI Part No.
Low	High	Room/OT	Room/OT	Room/OT	Max.	Max.			
790	1000	0.40/0.50	20/17	20/17	1000/200	100	-40 to +85°C	IA-05	RFSL2237-A30
790	960	0.35/0.45	20/18	20/18	1000/200	100	-40 to +85°C	IA-05	RFSL2247-A30
810	915	0.30/0.35	21/20	21/20	1000/200	100	-40 to +85°C	IA-05	RFSL2271-A30
960	1215	0.40/0.50	20/17	20/17	1000/200	100	-40 to +85°C	IA-05	RFSL2336-A30
1020	1090	0.20/0.30	25/22	25/22	1000/200	100	-40 to +85°C	IA-05	RFSL2333-A30
1100	1300	0.25/0.35	23/20	23/20	1000/200	100	-40 to +85°C	IA-05	RFSL2318-A30
1165	1215	0.20/0.30	25/22	25/22	1000/200	100	-40 to +85°C	IA-05	RFSL2335-A30
1200	1400	0.25/0.35	23/20	23/20	1000/200	100	-40 to +85°C	IA-05	RFSL2339-A30
1270	1400	0.20/0.30	25/22	25/22	1000/200	100	-40 to +85°C	IA-05	RFSL2320-A30
1300	1700	0.40/0.50	19/17	19/17	1000/200	100	-20 to +85°C	IA-05	RFSL2445-A30
1400	1600	0.25/0.35	23/20	23/20	1000/200	100	-40 to +85°C	IA-05	RFSL2359-A30
1420	1520	0.20/0.30	25/22	25/22	1000/200	100	-40 to +85°C	IA-05	RFSL2337-A30
1500	1800	0.30/0.40	22/20	22/20	1000/200	100	-40 to +85°C	IA-05	RFSL2428-A30
1520	1665	0.20/0.30	25/22	25/22	1000/200	100	-40 to +85°C	IA-05	RFSL2419-A30
1600	1650	0.20/0.30	25/22	25/22	1000/200	100	-40 to +85°C	IA-05	RFSL2415-A30
1700	2100	0.30/0.40	22/20	22/20	1000/200	100	-40 to +85°C	IA-05	RFSL2409-A30
1800	2200	0.30/0.35	22/20	22/20	1000/200	100	-40 to +85°C	IA-05	RFSL2522-A30
1900	2200	0.30/0.35	22/20	22/20	1000/200	100	-40 to +85°C	IA-05	RFSL2641-A30
1980	2520	0.35/0.40	20/18	20/18	1000/200	100	-40 to +85°C	IA-05	RFSL2749-A30
2000	2300	0.25/0.35	23/20	23/20	1000/200	100	-40 to +85°C	IA-05	RFSL2707-A30
2000	2200	0.25/0.35	25/22	25/22	1000/200	100	-40 to +85°C	IA-05	RFSL2714-A30
2010	2300	0.30/0.35	25/22	25/22	1000/200	100	-40 to +85°C	IA-05	RFSL2725-A30
2200	2400	0.25/0.35	25/22	25/22	1000/200	100	-40 to +85°C	IA-05	RFSL2829-A30

30dB Iso-Attenuators, BST Band-25.4mm Package

Frequency Range (MHz)		Insertion Loss (dB)	Isolation (dB)	Return Loss (dB)	Fwd. PWR P/CW (W)	Rev PWR CW (W)	Operating Temperature (°C)	Package Outline	RFCI Part No.
Low	High	Room/OT	Room/OT	Room/OT	Max.	Max.	(°C)		
728	756	0.20/0.30	25/22	25/22	1000/200	100	-40 to +85°C	IA-05	RFSL2140-A30
773	803	0.20/0.30	25/22	25/22	1000/200	100	-40 to +85°C	IA-05	RFSL2176-A30
791	821	0.20/0.30	25/22	25/22	1000/200	100	-40 to +85°C	IA-05	RFSL2142-A30
806	870	0.20/0.30	25/22	25/22	1000/200	100	-40 to +85°C	IA-05	RFSL2236-A30
830	890	0.20/0.30	25/22	25/22	1000/200	100	-40 to +85°C	IA-05	RFSL2238-A30
860	960	0.25/0.30	23/20	23/20	1000/200	100	-40 to +85°C	IA-05	RFSL2244-A30
869	894	0.20/0.30	25/22	25/22	1000/200	100	-40 to +85°C	IA-05	RFSL2240-A30
885	920	0.20/0.30	25/22	25/22	1000/200	100	-40 to +85°C	IA-05	RFSL2242-A30
900	930	0.20/0.30	25/22	25/22	1000/200	100	-40 to +85°C	IA-05	RFSL2332-A30
920	960	0.20/0.30	25/22	25/22	1000/200	100	-40 to +85°C	IA-05	RFSL2331-A30
1710	1880	0.20/0.30	23/21	23/21	1000/200	100	-40 to +85°C	IA-05	RFSL2421-A30
1710	1785	0.20/0.30	25/22	25/22	1000/200	100	-40 to +85°C	IA-05	RFSL2417-A30
1805	1880	0.20/0.30	25/22	25/22	1000/200	100	-40 to +85°C	IA-05	RFSL2523-A30
1880	1930	0.20/0.30	25/22	25/22	1000/200	100	-40 to +85°C	IA-05	RFSL2621-A30
1920	2170	0.20/0.35	25/22	25/22	1000/200	100	-40 to +85°C	IA-05	RFSL2627-A30
1930	1995	0.20/0.30	25/22	25/22	1000/200	100	-40 to +85°C	IA-05	RFSL2625-A30
2090	2190	0.20/0.30	25/22	25/22	1000/200	100	-40 to +85°C	IA-05	RFSL2719-A30
2130	2280	0.20/0.30	25/22	25/22	1000/200	100	-40 to +85°C	IA-05	RFSL2721-A30
2300	2680	0.25/0.35	25/22	25/22	1000/200	100	-40 to +85°C	IA-05	RFSL2824-A30
2470	2730	0.20/0.30	25/22	25/22	1000/200	100	-40 to +85°C	IA-05	RFSL2823-A30

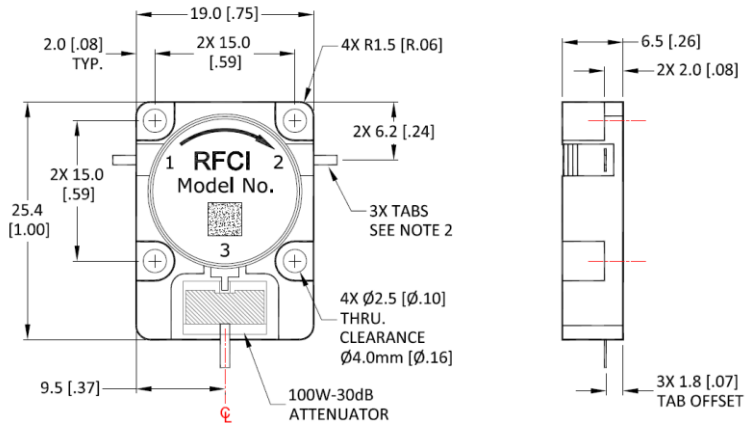
Standard Part Number is 30dB Attenuator and Clockwise (CW) Rotation. Add letter “R” at the end to Part number for a Counter Clockwise (CCW) Rotation

- See RFCI website www.rf-ci.com for complete part datasheet.

Figure IA-06 (19mm C' Bore Package Outline)

UNLESS OTHERWISE SPECIFIED
ALL DIMENSIONS ARE IN MILLIMETERS (INCHES):

TOLERANCES ARE:
1 PLACE DECIMAL ±.2 [±.01] ANGULAR: ±1.0°
2 PLACE DECIMAL ±.10 [±.004] SURFACE ROUGHNESS 16/



Notes:
1. Typical Values Represent Performance @ +23 °C.
2. Tab Dimensions: 1.00 [0.040]W x 3.0 [0.12]L x 0.20 [0.008]T
3. Iso-Attenuator Flange held to +85°C; 30 Minute Maximum Duration

30dB Iso-Attenuators-19mm C' Bore Package

Frequency Range (MHz)		Insertion Loss (dB)		Return Loss (dB)	Fwd. PWR P/CW (W)	Rev PWR CW (W)	Operating Temperature (°C)	Package Outline	RFCI Part Number
Low	High	Room/OT	Room/OT	Room/OT	Max.	Max.			
1600	1650	0.25/0.30	25/22	25/22	1000/100	100	-40 to +85°C	IA-06	RFSL2436-A30
1710	1785	0.20/0.30	25/22	25/22	1000/100	100	-40 to +85°C	IA-06	RFSL2437-A30
1805	1880	0.20/0.30	25/22	25/22	1000/100	100	-40 to +85°C	IA-06	RFSL2531-A30
1805	1990	0.20/0.30	25/22	25/22	1000/100	100	-40 to +85°C	IA-06	RFSL2532-A30
1880	1930	0.20/0.30	25/22	25/22	1000/100	100	-40 to +85°C	IA-06	RFSL2533-A30
1920	2125	0.25/0.35	23/20	23/20	1000/100	100	-40 to +85°C	IA-06	RFSL2637-A30
1930	1995	0.20/0.30	25/22	25/22	1000/100	100	-40 to +85°C	IA-06	RFSL2638-A30
2000	2300	0.30/0.50	23/20	23/20	1000/100	100	-40 to +85°C	IA-06	RFSL2716-A30
2010	2090	0.20/0.30	25/22	25/22	1000/100	100	-40 to +85°C	IA-06	RFSL2739-A30
2024	2286	0.25/0.35	23/20	23/20	1000/100	100	-40 to +85°C	IA-06	RFSL2740-A30
2090	2190	0.20/0.30	25/22	25/22	1000/100	100	-40 to +85°C	IA-06	RFSL2741-A30
2130	2280	0.20/0.30	25/22	25/22	1000/100	100	-40 to +85°C	IA-06	RFSL2742-A30
2200	2300	0.20/0.30	25/22	25/22	1000/100	100	-40 to +85°C	IA-06	RFSL2848-A30
2250	2650	0.25/0.35	23/20	23/20	1000/100	100	-40 to +85°C	IA-06	RFSL2825-A30
2300	2700	0.25/0.35	23/20	23/20	1000/100	100	-40 to +85°C	IA-06	RFSL2827-A30
2300	2500	0.20/0.30	25/22	25/22	1000/100	100	-40 to +85°C	IA-06	RFSL2849-A30
2470	2730	0.20/0.30	25/22	25/22	1000/100	100	-40 to +85°C	IA-06	RFSL2850-A30
2490	2690	0.20/0.30	25/22	25/22	1000/100	100	-40 to +85°C	IA-06	RFSL2851-A30
2500	2700	0.20/0.30	25/22	25/22	1000/100	100	-40 to +85°C	IA-06	RFSL2852-A30
2620	2690	0.20/0.30	25/22	25/22	1000/100	100	-40 to +85°C	IA-06	RFSL2853-A30

Standard Part Number is 30dB Attenuator and Clockwise (CW) Rotation. Add letter “R” at the end to Part number for a Counter Clockwise (CCW) Rotation

Drop in Flange Mount Iso-Attenuators Communication Narrow Band

BR-0010 Revision 01

RF Circulator Isolator Inc. ■ Phone +1 408 977 1526 Fax +1 408 977 1534 ■ sales@rf-ci.com

Visit www.rf-ci.com for addition data sheets and information

Products and product Information are Subject to Change Without Notice.

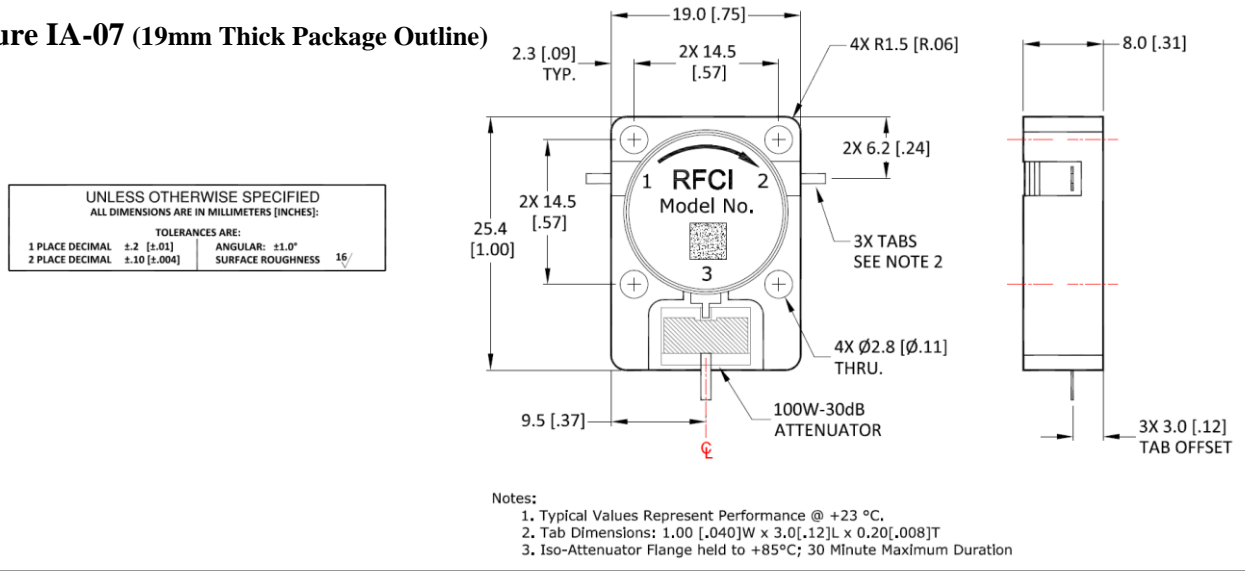
S Bands-30dB Iso-Attenuators-19mm C' Bore Package

Frequency Range (MHz)		Insertion Loss (dB)	Isolation (dB)	Return Loss (dB)	Fwd. PWR P/CW (W)	Rev PWR CW (W)	Operating Temperature	Package Outline	RFCI Part Number
Low	High	Room/OT	Room/OT	Room/OT	Max.	Max.	(°C)		
2700	3300	0.30/0.40	23/20	23/20	1000/100	100	-40 to +85°C	IA-06	RFSL2817-A30
2700	2900	0.20/0.30	25/22	25/22	1000/100	100	-40 to +85°C	IA-06	RFSL2854-A30
2900	3500	0.30/0.40	23/20	23/20	1000/100	100	-40 to +85°C	IA-06	RFSL2856-A30
2900	3100	0.20/0.30	25/22	25/22	1000/100	100	-40 to +85°C	IA-06	RFSL2855-A30
3000	3500	0.25/0.35	23/20	23/20	1000/100	100	-40 to +85°C	IA-06	RFSL2857-A30
3300	3800	0.25/0.35	23/20	23/20	1000/100	100	-40 to +85°C	IA-06	RFSL2859-A30
3300	3500	0.20/0.30	25/22	25/22	1000/100	100	-40 to +85°C	IA-06	RFSL2858-A30
3400	3700	0.20/0.30	25/22	25/22	1000/100	100	-40 to +85°C	IA-06	RFSL2860-A30
3600	3800	0.20/0.30	25/22	25/22	1000/100	100	-40 to +85°C	IA-06	RFSL2861-A30

Standard Part Number is 30dB Attenuator and Clockwise (CW) Rotation. Add letter “R” at the end to Part number for a Counter Clockwise (CCW) Rotation

- See RFCI website www.rf-ci.com for complete part datasheet.

Figure IA-07 (19mm Thick Package Outline)



30dB Iso-Attenuators-19mm Thick Package

Frequency Range (MHz)		Insertion Loss (dB)		Return Loss (dB)	Fwd. PWR P/CW (W)	Rev PWR CW (W)	Operating Temperature (°C)	Package Outline	RFCI Part Number
Low	High	Room/OT	Room/OT	Room/OT	Max.	Max.	(°C)		
1600	1650	0.25/0.30	25/22	25/22	1000/100	100	-40 to +85°C	IA-07	RFSL2436D-A30
1710	1785	0.20/0.30	25/22	25/22	1000/100	100	-40 to +85°C	IA-07	RFSL2437D-A30
1805	1880	0.20/0.30	25/22	25/22	1000/100	100	-40 to +85°C	IA-07	RFSL2531D-A30
1805	1990	0.20/0.30	25/22	25/22	1000/100	100	-40 to +85°C	IA-07	RFSL2532D-A30
1880	1930	0.20/0.30	25/22	25/22	1000/100	100	-40 to +85°C	IA-07	RFSL2533D-A30
1920	2125	0.25/0.35	23/20	23/20	1000/100	100	-40 to +85°C	IA-07	RFSL2637D-A30
1930	1995	0.20/0.30	25/22	25/22	1000/100	100	-40 to +85°C	IA-07	RFSL2638D-A30
2000	2300	0.30/0.50	23/20	23/20	1000/100	100	-40 to +85°C	IA-07	RFSL2716D-A30
2010	2090	0.20/0.30	25/22	25/22	1000/100	100	-40 to +85°C	IA-07	RFSL2739D-A30
2024	2286	0.25/0.35	23/20	23/20	1000/100	100	-40 to +85°C	IA-07	RFSL2740D-A30
2090	2190	0.20/0.30	25/22	25/22	1000/100	100	-40 to +85°C	IA-07	RFSL2741D-A30
2130	2280	0.20/0.30	25/22	25/22	1000/100	100	-40 to +85°C	IA-07	RFSL2742D-A30
2200	2300	0.20/0.30	25/22	25/22	1000/100	100	-40 to +85°C	IA-07	RFSL2848D-A30
2250	2650	0.25/0.35	23/20	23/20	1000/100	100	-40 to +85°C	IA-07	RFSL2825D-A30
2300	2700	0.25/0.35	23/20	23/20	1000/100	100	-40 to +85°C	IA-07	RFSL2827D-A30
2300	2500	0.20/0.30	25/22	25/22	1000/100	100	-40 to +85°C	IA-07	RFSL2849D-A30
2470	2730	0.20/0.30	25/22	25/22	1000/100	100	-40 to +85°C	IA-07	RFSL2850D-A30
2490	2690	0.20/0.30	25/22	25/22	1000/100	100	-40 to +85°C	IA-07	RFSL2851D-A30
2500	2700	0.20/0.30	25/22	25/22	1000/100	100	-40 to +85°C	IA-07	RFSL2852D-A30
2620	2690	0.20/0.30	25/22	25/22	1000/100	100	-40 to +85°C	IA-07	RFSL2853D-A30

S Bands-30dB Iso-Attenuators-19mm Thick Package

Frequency Range (MHz)		Insertion Loss (dB)	Isolation (dB)	Return Loss (dB)	Fwd. PWR P/CW (W)	Rev PWR CW (W)	Operating Temperature	Package Outline	RFCI Part Number
Low	High	Room/OT	Room/OT	Room/OT	Max.	Max.	(°C)		
2700	3300	0.30/0.40	23/20	23/20	1000/100	100	-40 to +85°C	IA-07	RFSL2817D-A30
2700	2900	0.20/0.30	25/22	25/22	1000/100	100	-40 to +85°C	IA-07	RFSL2854D-A30
2900	3500	0.30/0.40	23/20	23/20	1000/100	100	-40 to +85°C	IA-07	RFSL2856D-A30
2900	3100	0.20/0.30	25/22	25/22	1000/100	100	-40 to +85°C	IA-07	RFSL2855D-A30
3000	3500	0.25/0.35	23/20	23/20	1000/100	100	-40 to +85°C	IA-07	RFSL2857D-A30
3300	3800	0.25/0.35	23/20	23/20	1000/100	100	-40 to +85°C	IA-07	RFSL2859D-A30
3300	3500	0.20/0.30	25/22	25/22	1000/100	100	-40 to +85°C	IA-07	RFSL2858D-A30
3400	3700	0.20/0.30	25/22	25/22	1000/100	100	-40 to +85°C	IA-07	RFSL2860D-A30
3600	3800	0.20/0.30	25/22	25/22	1000/100	100	-40 to +85°C	IA-07	RFSL2861D-A30

Standard Part Number is 30dB Attenuator and Clockwise (CW) Rotation. Add letter “R” at the end to Part number for a Counter Clockwise (CCW) Rotation

- See RFCI website www.rf-ci.com for complete part datasheet.

RF Circulator Isolator Inc. ■ Phone +1 408 977 1526 Fax +1 408 977 1534 ■ sales@rf-ci.com
 Visit www.rf-ci.com for addition data sheets and information
 Products and product Information are Subject to Change without Notice.