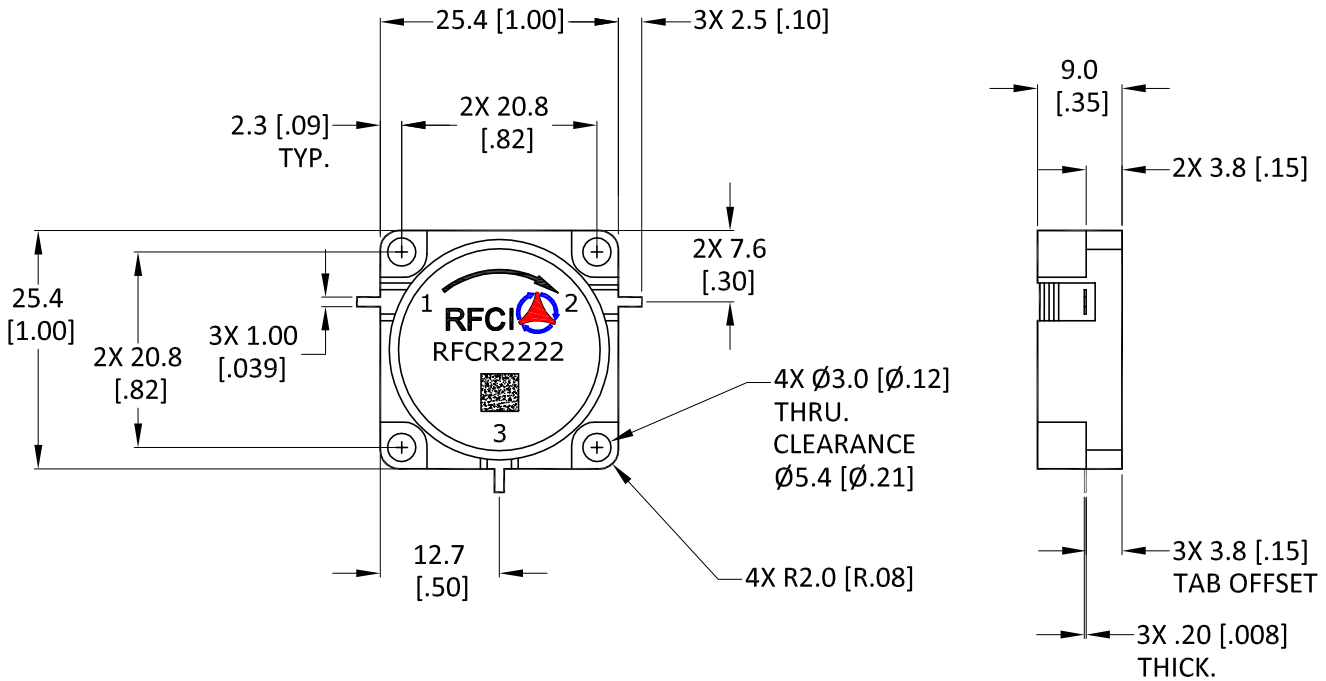


THIS DRAWING HAS BEEN GENERATED BY A CAD SYSTEM. CHANGES SHALL ONLY BE INCORPORATED AS DIRECTED BY THE DESIGN ACTIVITY. DO NOT REVISE MANUALLY.

REVISIONS

REV.	DESCRIPTION	ECO	DATE	APPROVED
1	INITIAL RELEASE	-	04/10/13	P.T



Specifications

Parameter	Minimum	Typical *	Maximum
Frequency Range (MHz)	860		960
Insertion Loss (dB)		< .25	.30
Isolation (dB)	20	>23	
Return Loss (dB)	20	>23	
FWD IMD: 2T at 37W per T 5MHz Spacing (dBc)		75	

\* Typical Values Represent Mid-Band Performance @ +23 °C.

Power & Temperature Ratings

Parameter	Maximum
Forward PWR Peak/AVG	1000/200 Watts
Reverse Power CW	200 Watts
Operating Temperature	-40 to +85° C
Storage Temperature	-40 to +95° C

CW CIRCULATOR MODEL: RFCR2222

<p>UNLESS OTHERWISE SPECIFIED ALL DIMENSIONS ARE IN MILLIMETERS [INCHES]:</p> <p>TOLERANCES ARE:</p> <p>1 PLACE DECIMAL ±.2 [±.01]      ANGULAR: ±1.0° 2 PLACE DECIMAL ±.10 [±.004]      SURFACE ROUGHNESS 16/</p>		<p>THIRD ANGLE PROJECTION</p>		<p><b>RFCI</b> </p>			
<p>REMOVE ALL BURRS AND BREAK SHARP EDGES. SURFACE TEXTURE TO BE IN ACCORDANCE WITH LATEST ANSI B46.1 DIMENSIONING &amp; TOLERANCING IN ACCORDANCE WITH LATEST ANSI Y14.5</p>		<p>APPROVALS      DATE</p> <p>DRAWN BY: HV      04/10/13 CHECKED BY: P.T      04/11/13 DESIGN BY: P.T      11/14/12 ENGINEER BY: P.T      11/14/12 MFG. ENGR. L.T      11/20/12 Q.A. PROG. MGMT/MKT</p>				<p>TITLE</p> <p><b>OUTLINE/SPECS</b></p>	
<p>PROPRIETARY NOTE: "THE INFORMATION CONTAINED ON THIS DOCUMENT IS CONSIDERED TO BE CONFIDENTIAL MATERIAL PROPRIETARY TO RF CIRCULATOR ISOLATOR Inc. (RFCI) AND IS PROVIDED SOLELY FOR INFORMATION PURPOSES. THIS INFORMATION SHALL NOT BE USED BY ANYONE OTHER THAN RFCI TO DESIGN OR CONSTRUCT ANY OF THE ITEMS DEPICTED, NOR SHALL IT BE DISCLOSED, DUPLICATED, OR COPIED FOR ANY PURPOSE, NOR MADE AVAILABLE TO ANY THIRD PARTY WITHOUT THE PRIOR WRITTEN CONSENT OF A RFCI OFFICIAL."</p>		<p>DO NOT SCALE DRAWING</p>		<p>SIZE</p> <p><b>A</b></p>	<p>CAGE NO.</p>	<p>DWG NO.</p> <p><b>CR2222-OS</b></p>	<p>REV.</p> <p><b>1</b></p>
<p>SCALE: FULL</p>				<p>SHEET 1 OF 1</p>			